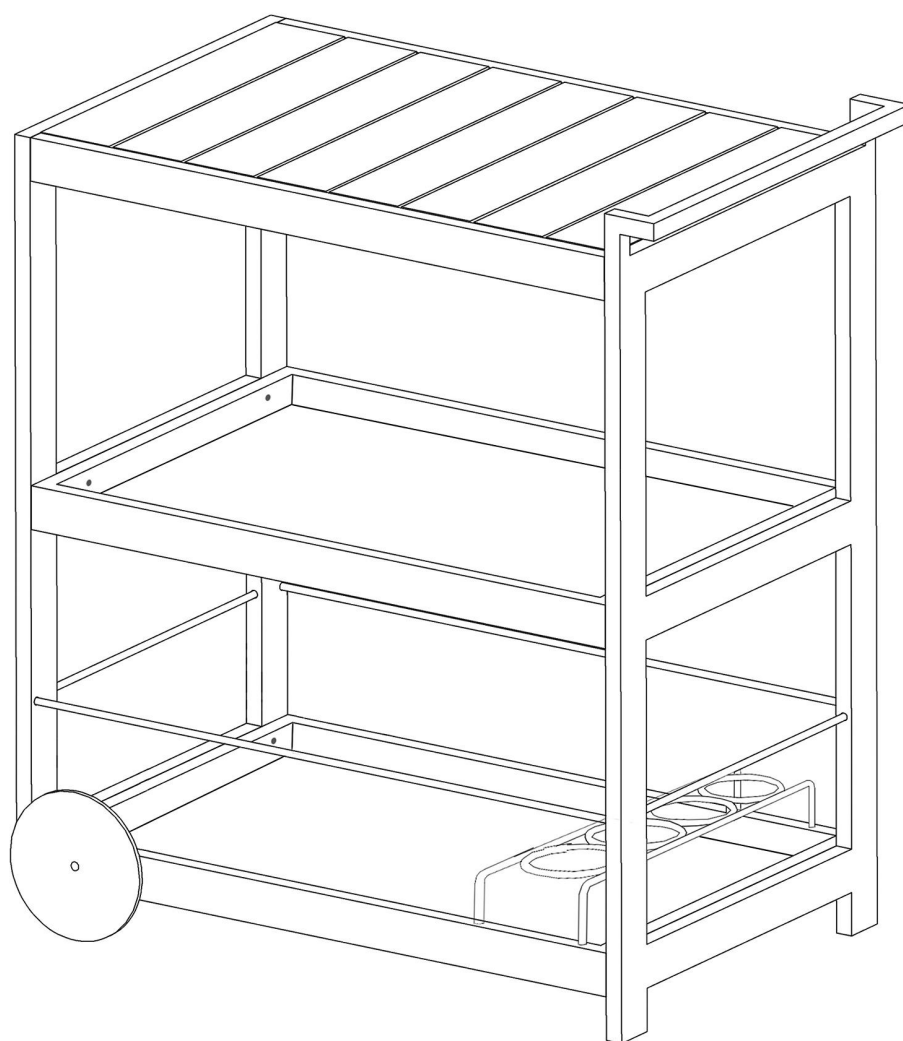


# Outdoor Kitchen Trolley

## Assembly Instructions









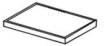






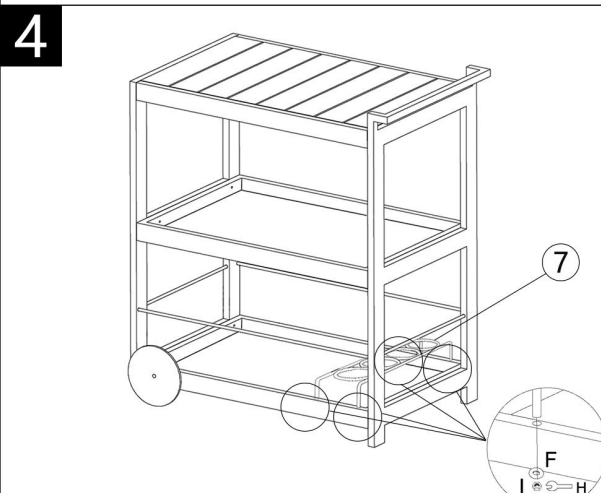
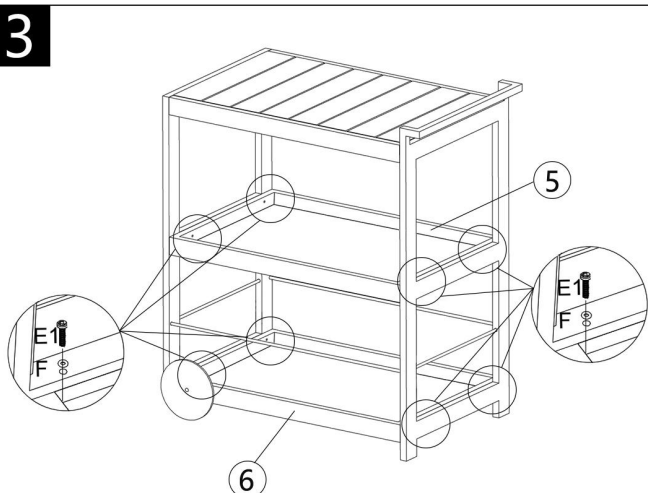
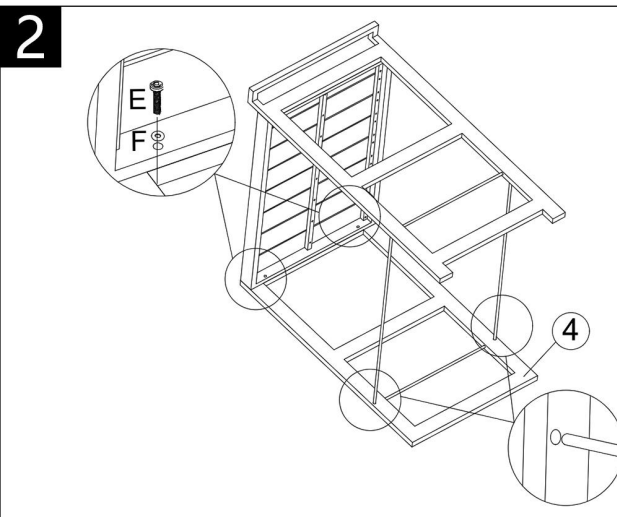
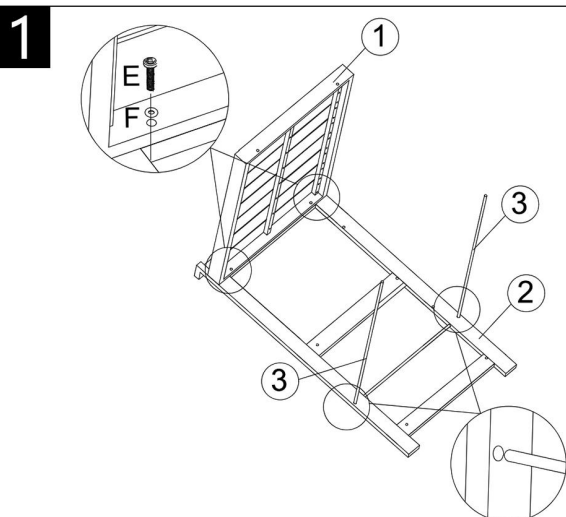
p.1



# Outdoor Kitchen Trolley

## Assembly Instructions

No.		Qty	No.		Qty
1		1	E	 M6*30	4
2		1	E1	 M6*35	8
3		2	F	 M6	16
4		1	G	 S4-M6	1
5		1	H	 M6	1
6		1	I	 M6	4
7		1			



**Tip - Do not fully tighten the bolts until the item is fully assembled.**