

Ecoscape Clarity Solid Edge Board

Material: Wood Plastic Composite
Finish: Smooth Matt Finish

Product Variants:

	Ash	Autumn	Charcoal	Graphite	Walnut
Narrow 2.9m	ECO007SAS	ECO007SA	ECO007SC	ECO007SG	ECO007SW
Wide 2.9m	ECO007SASW	ECO007SAW	ECO007SCW	ECO007SGW	ECO007SWW
Narrow 3.0m	ECO007SAS	ECO007SA3	ECO007SC3	ECO007SG3	ECO007SW3
Wide 3.0m	ECO007SASW3	ECO007SA3W	ECO007SC3W	ECO007SG3W	ECO007SW3W

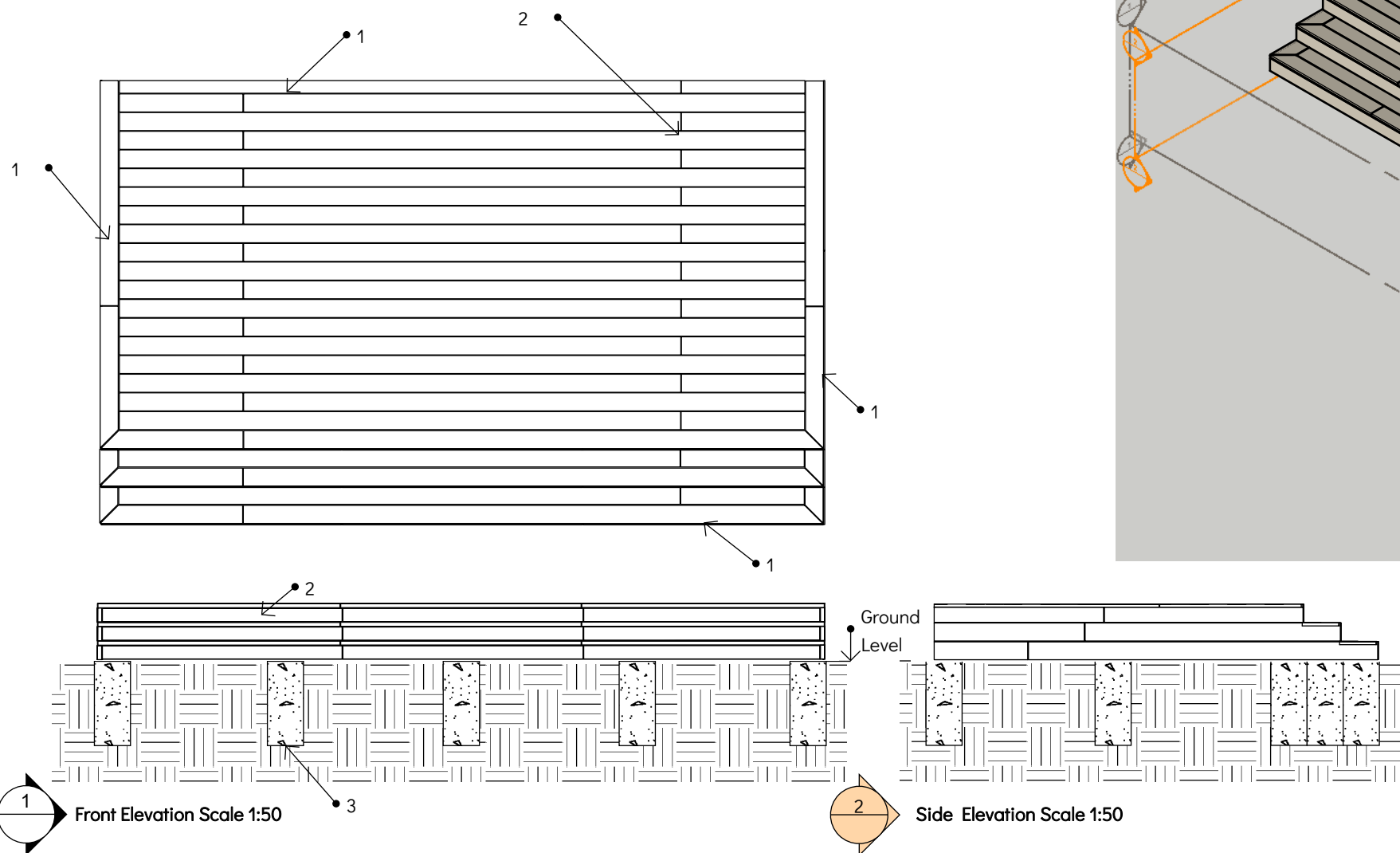
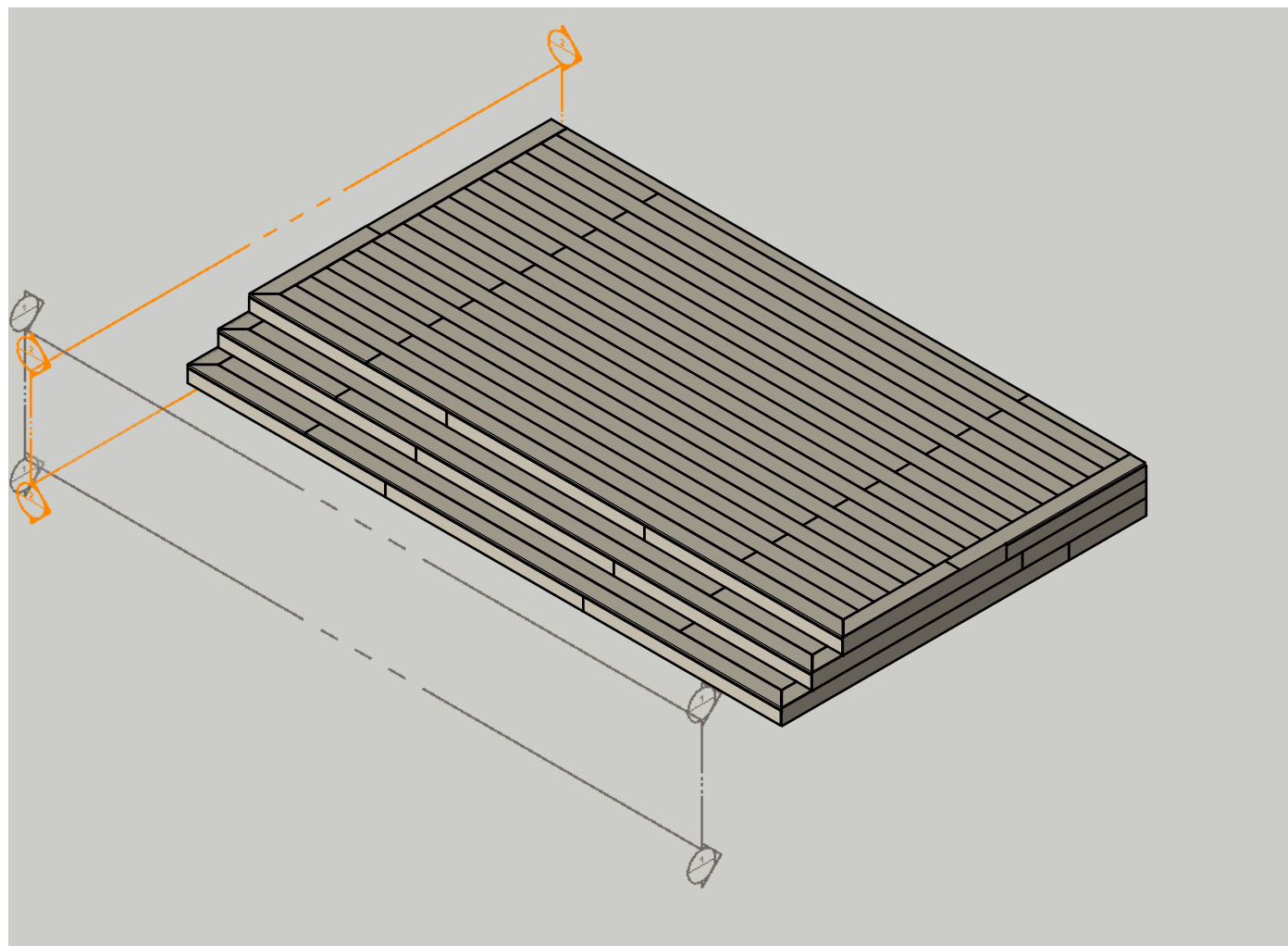
© 2022 Ecoscape UK Ltd

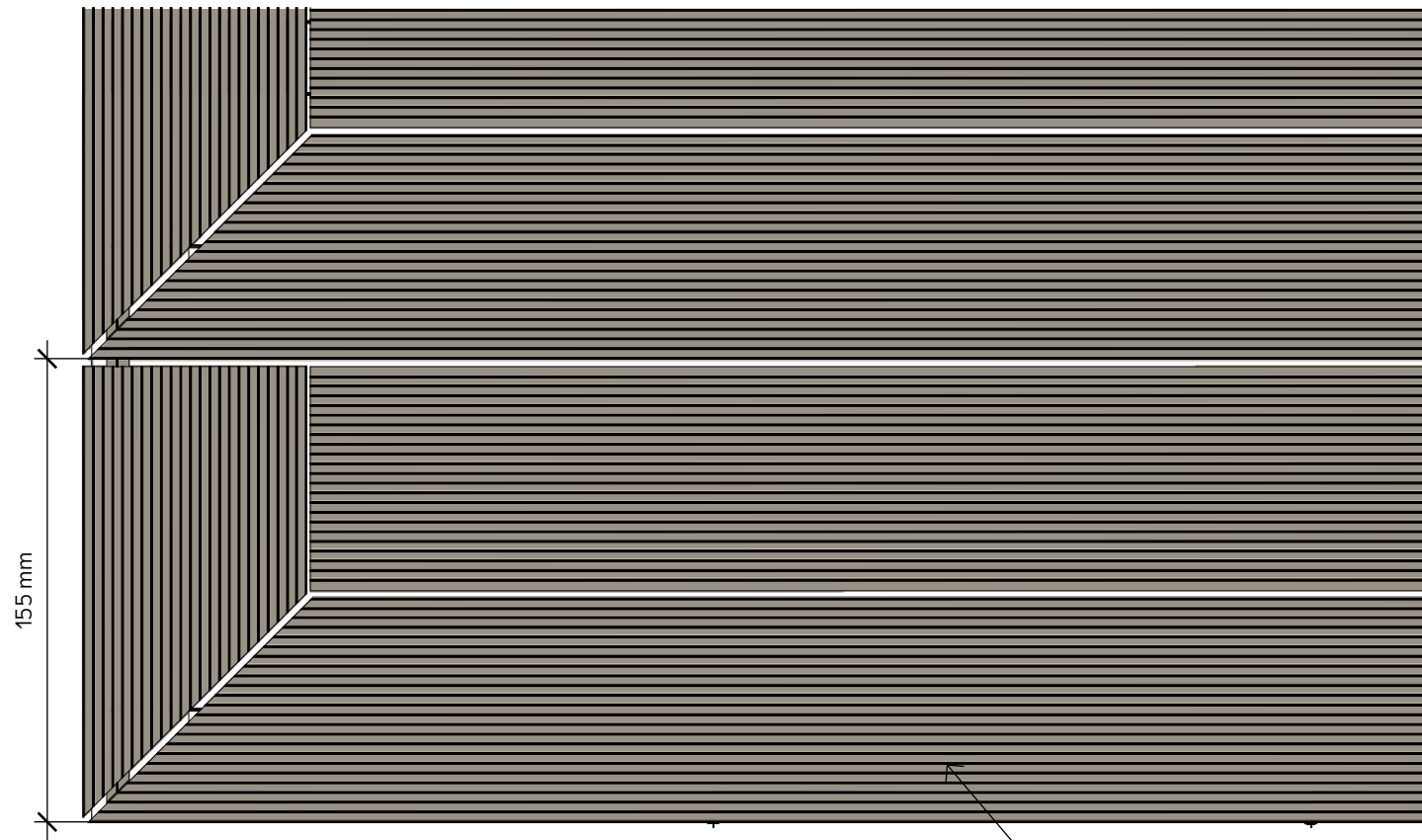
Plastic Joist Substructure for Composite Decking with Steps Typical Detail

- 1: Solid Edge Board
- 2: Decking Board
- 3: Concrete Post Foundations

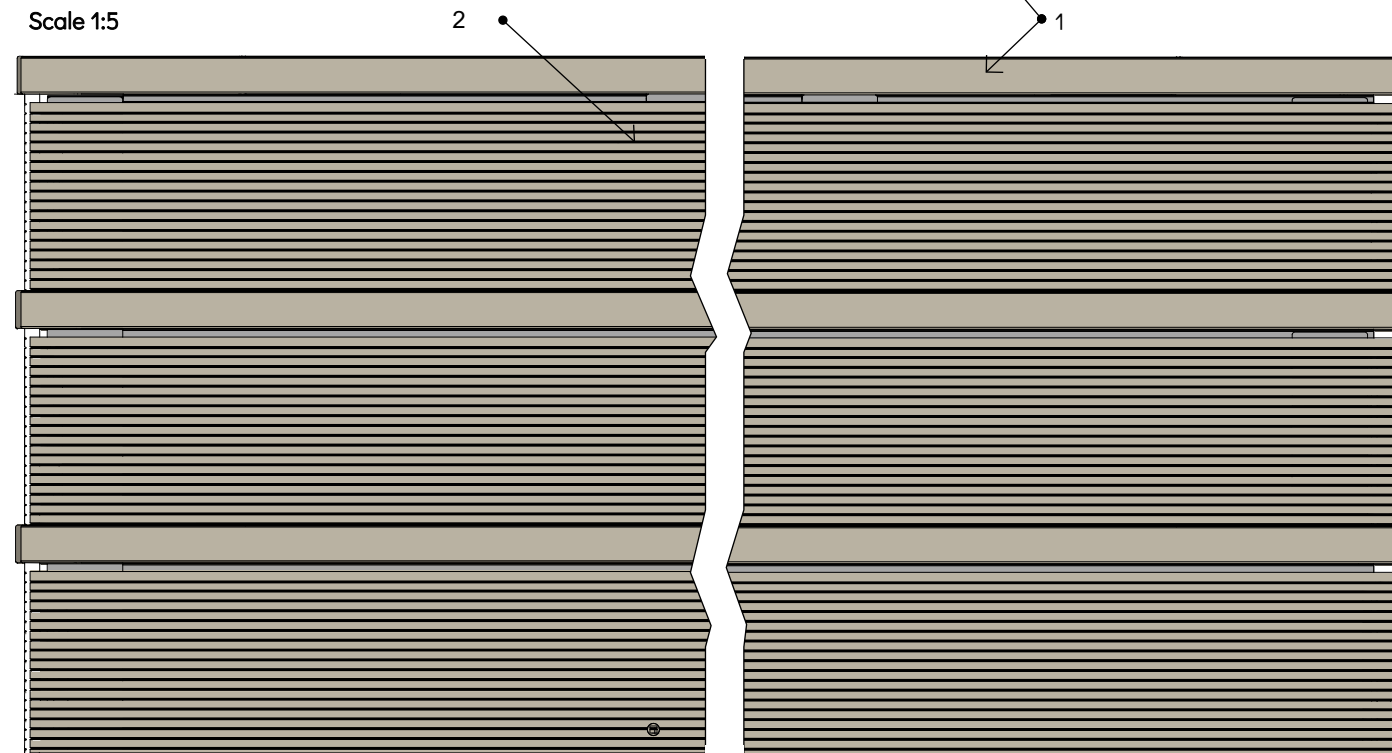
For further information, see :

Ecoscape "Composite Decking installation Guide"

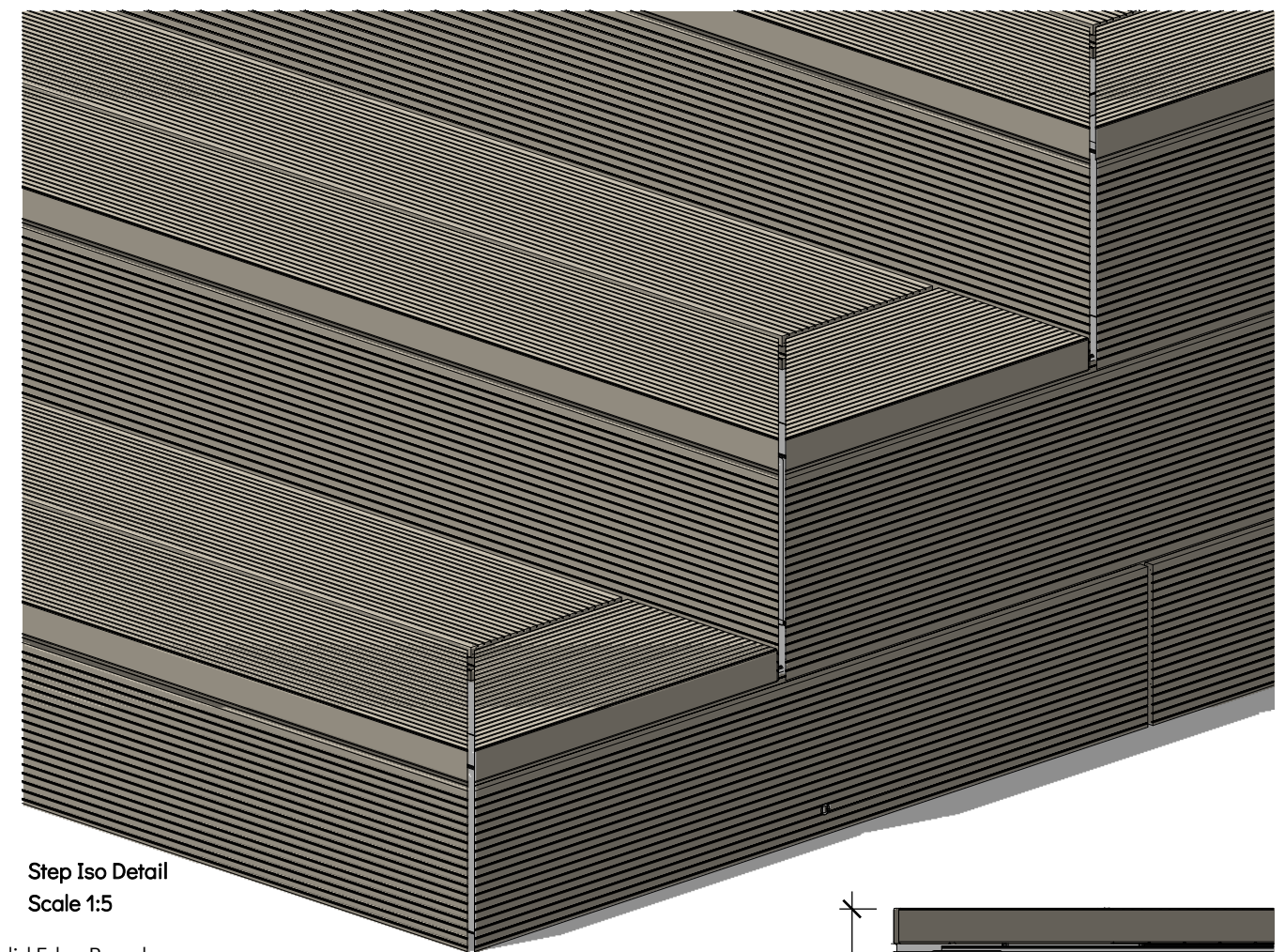




Step Plan Detail
Scale 1:5



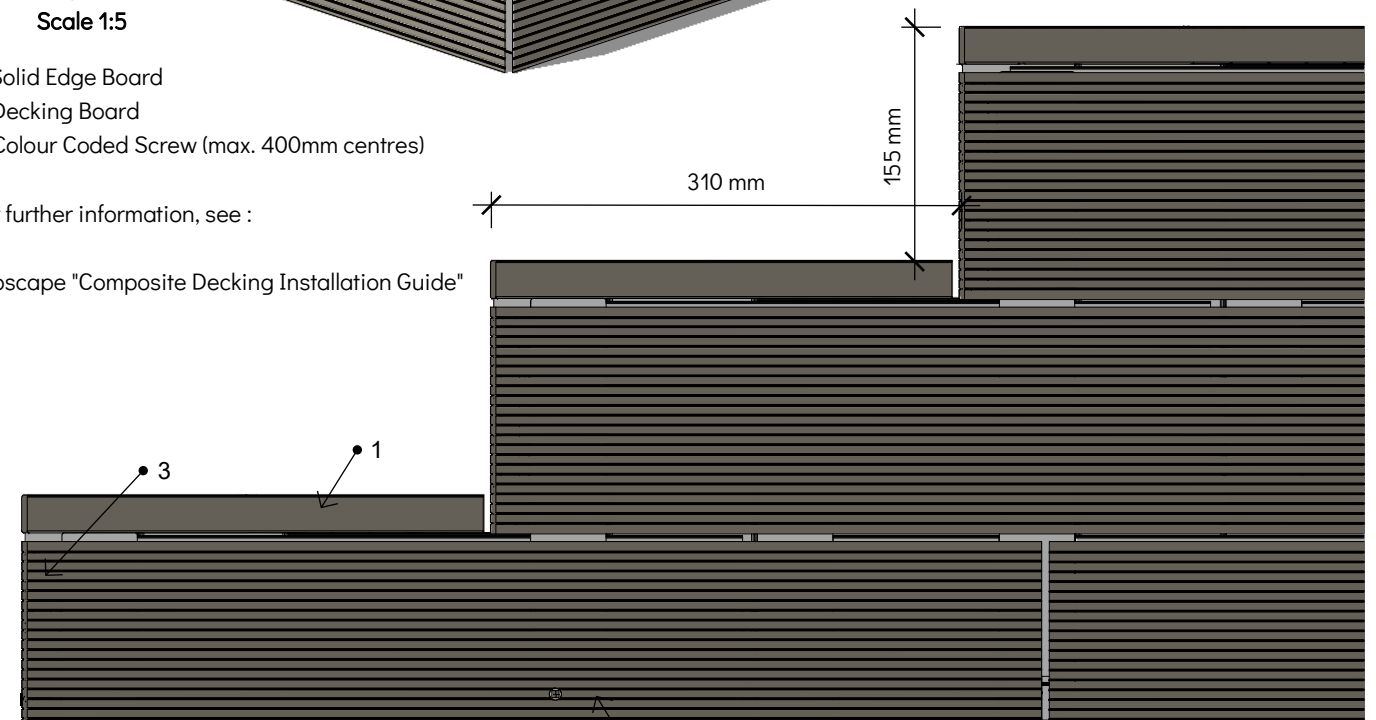
Step Front Elevation Detail
Scale 1:5



Step Iso Detail
Scale 1:5

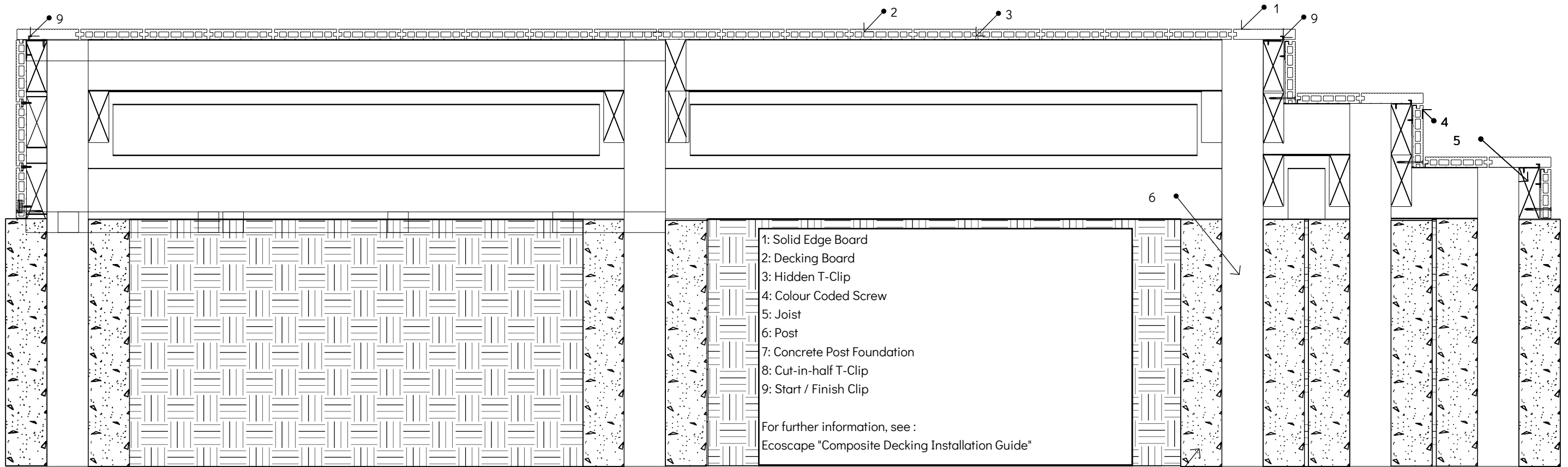
- 1: Solid Edge Board
- 2: Decking Board
- 3: Colour Coded Screw (max. 400mm centres)

For further information, see :
Ecoscape "Composite Decking Installation Guide"



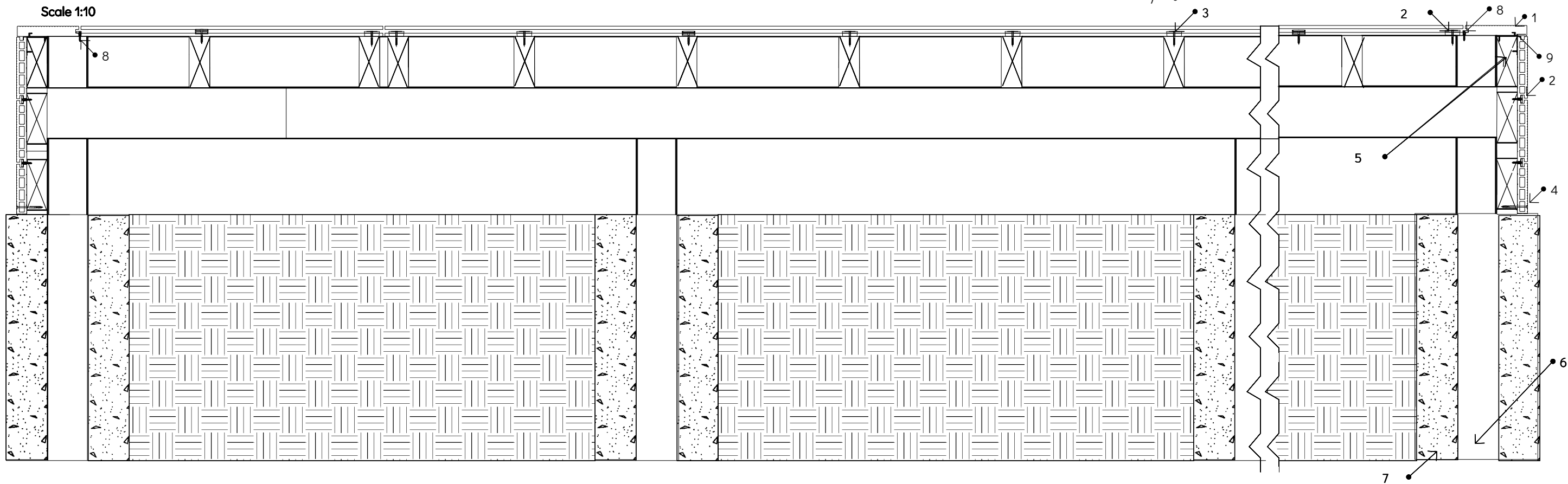
Step Side Elevation Detail
Scale 1:5

© 2022 Ecoscape UK Ltd



- 1: Solid Edge Board
 - 2: Decking Board
 - 3: Hidden T-Clip
 - 4: Colour Coded Screw
 - 5: Joist
 - 6: Post
 - 7: Concrete Post Foundation
 - 8: Cut-in-half T-Clip
 - 9: Start / Finish Clip
- For further information, see :
Ecoscape "Composite Decking Installation Guide"

Side Section Detail
Scale 1:10



© 2022 Ecoscape UK Ltd