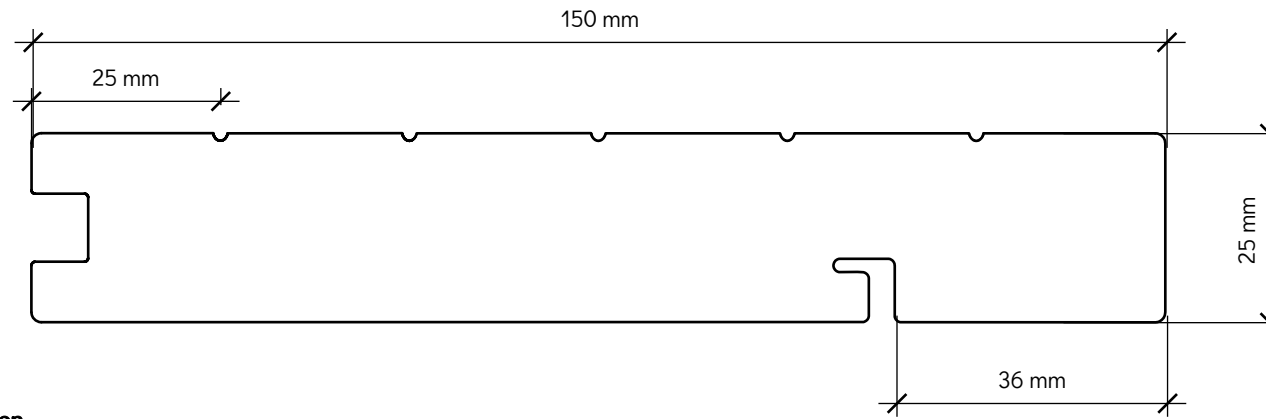
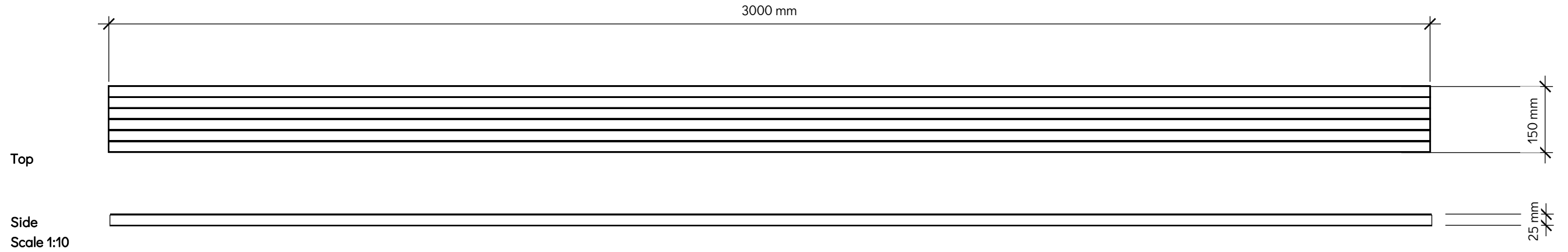


Do not scale from this drawing.
The Contractor shall be responsible for checking dimensions, tolerances & references.
Discrepancies to be verified with Ecoscape UK before commencement of works.

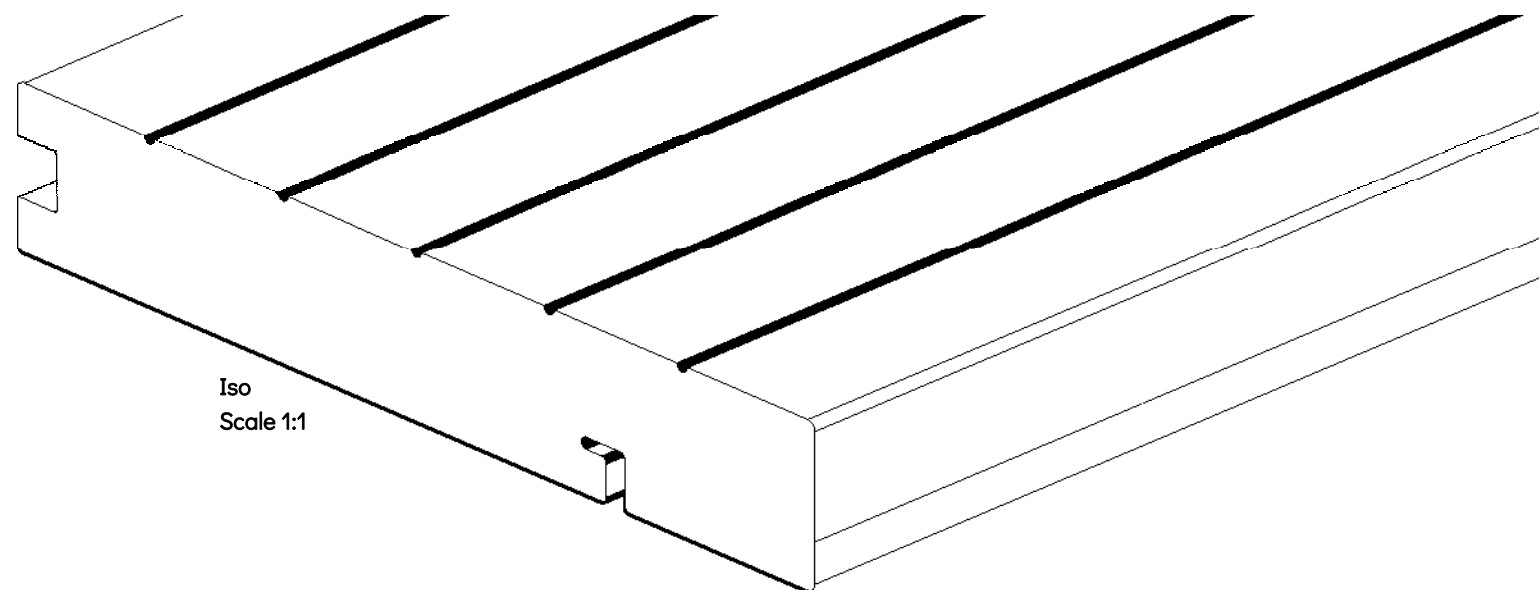


Ecoscape Clarity Solid Edge Board

Material: Wood Plastic Composite
Finish: 1" (25mm) Groove

Product Variants:

	Ash	Autumn	Charcoal	Graphite	Walnut
Narrow 2.9m	ECO017AS	ECO17AT	ECO17AC	ECO17AG	ECO17AW
Wide 2.9m	ECO017ASW	ECO17ATW	ECO17ACW	ECO17AGW	ECO17AWW
Narrow 3.0m	ECO017AS3	ECO17AT3	ECO17AC3	ECO17AG3	ECO17AW3
Wide 3.0m	ECO017ASW3	ECO17ATW3	ECO17ACW3	ECO17AGW3	ECO17AWW3



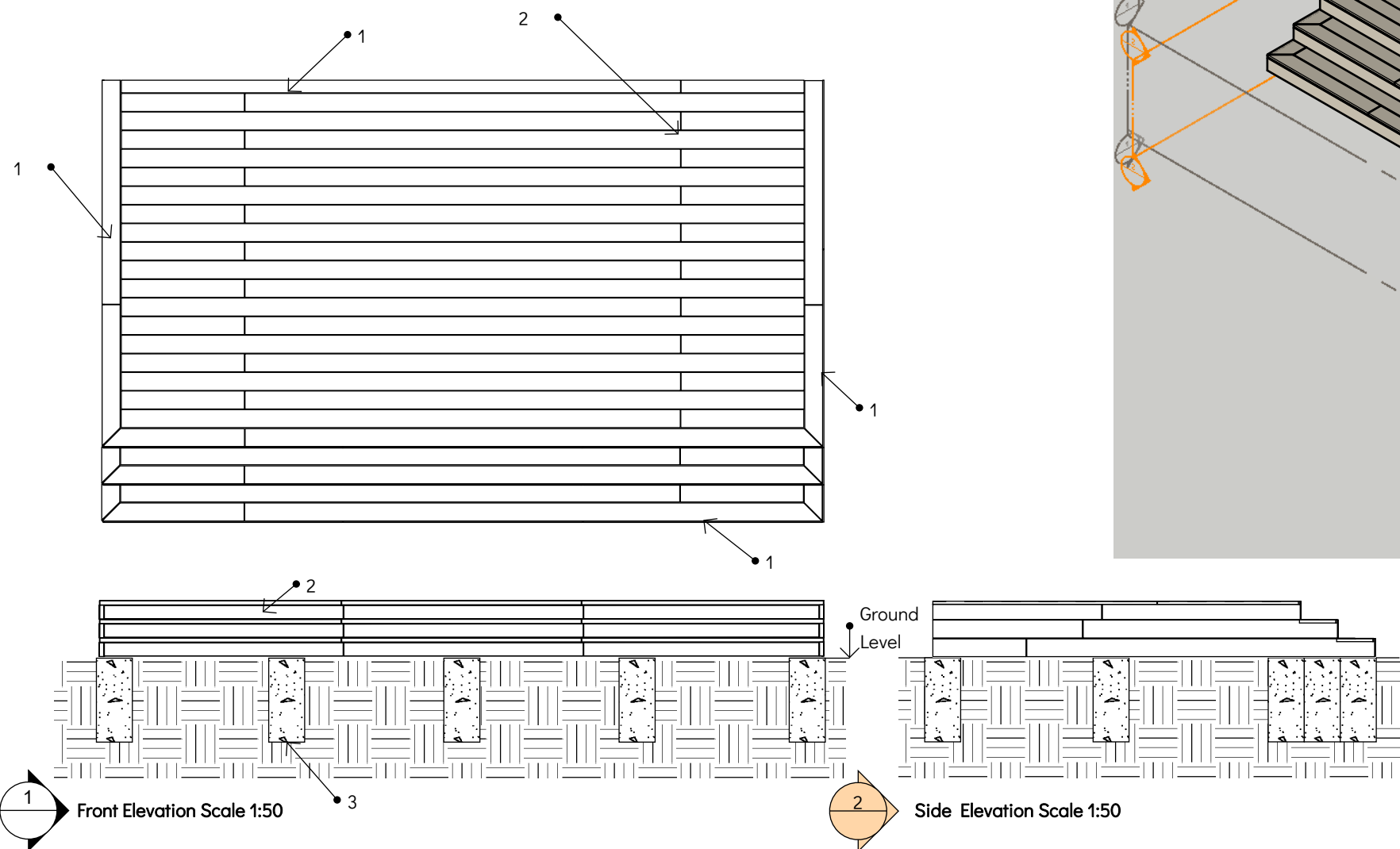
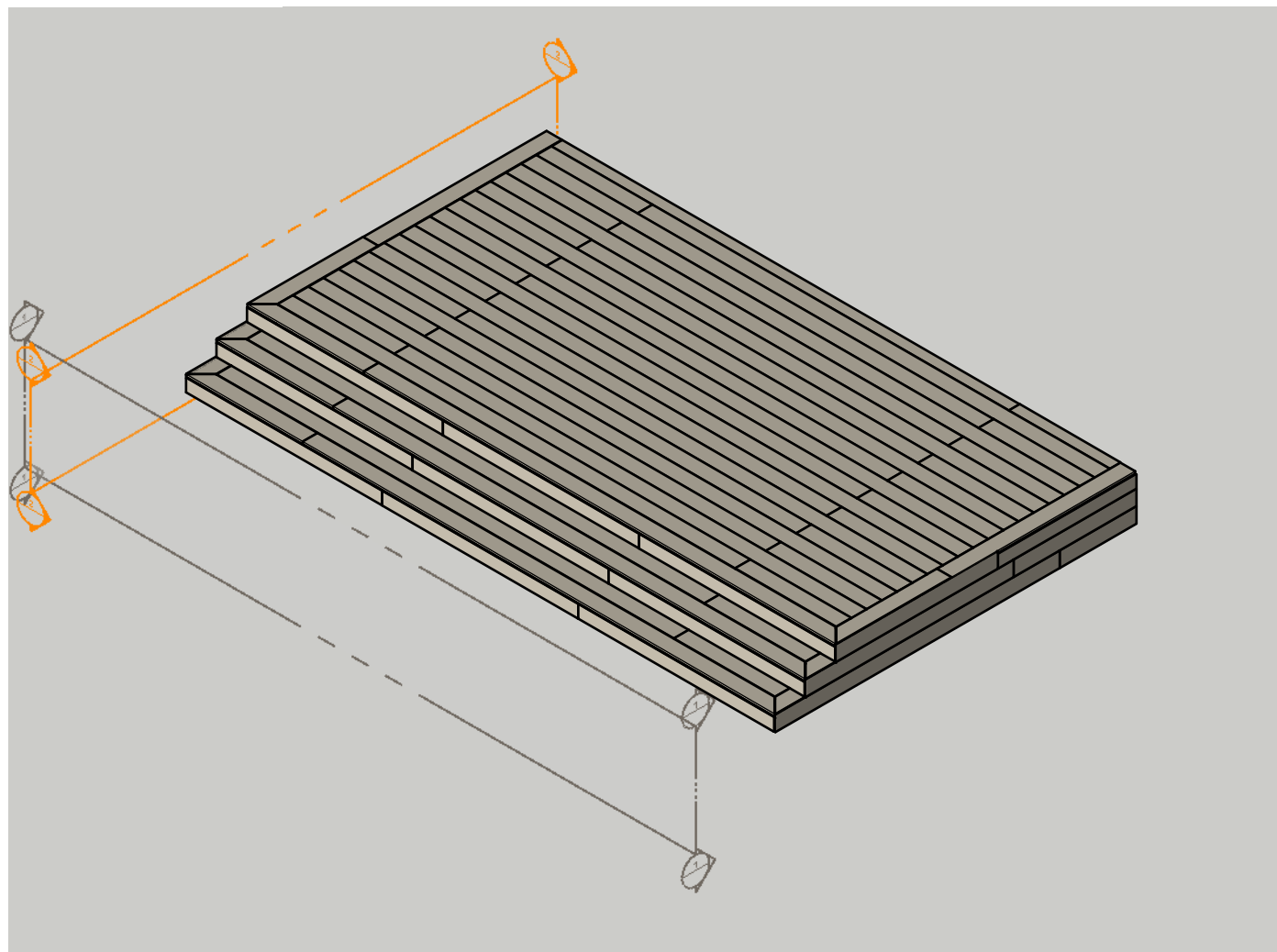
© 2022 Ecoscape UK Ltd

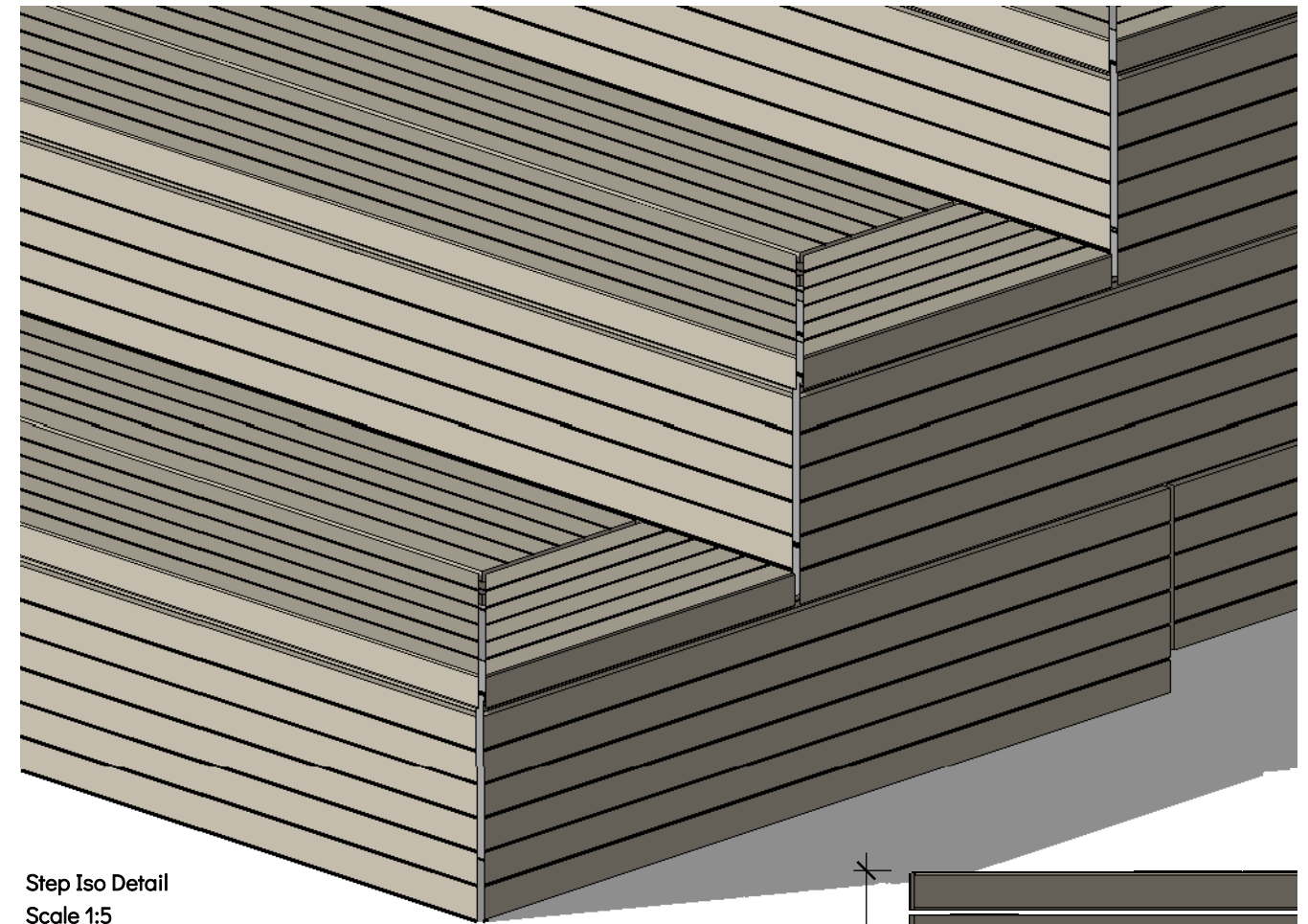
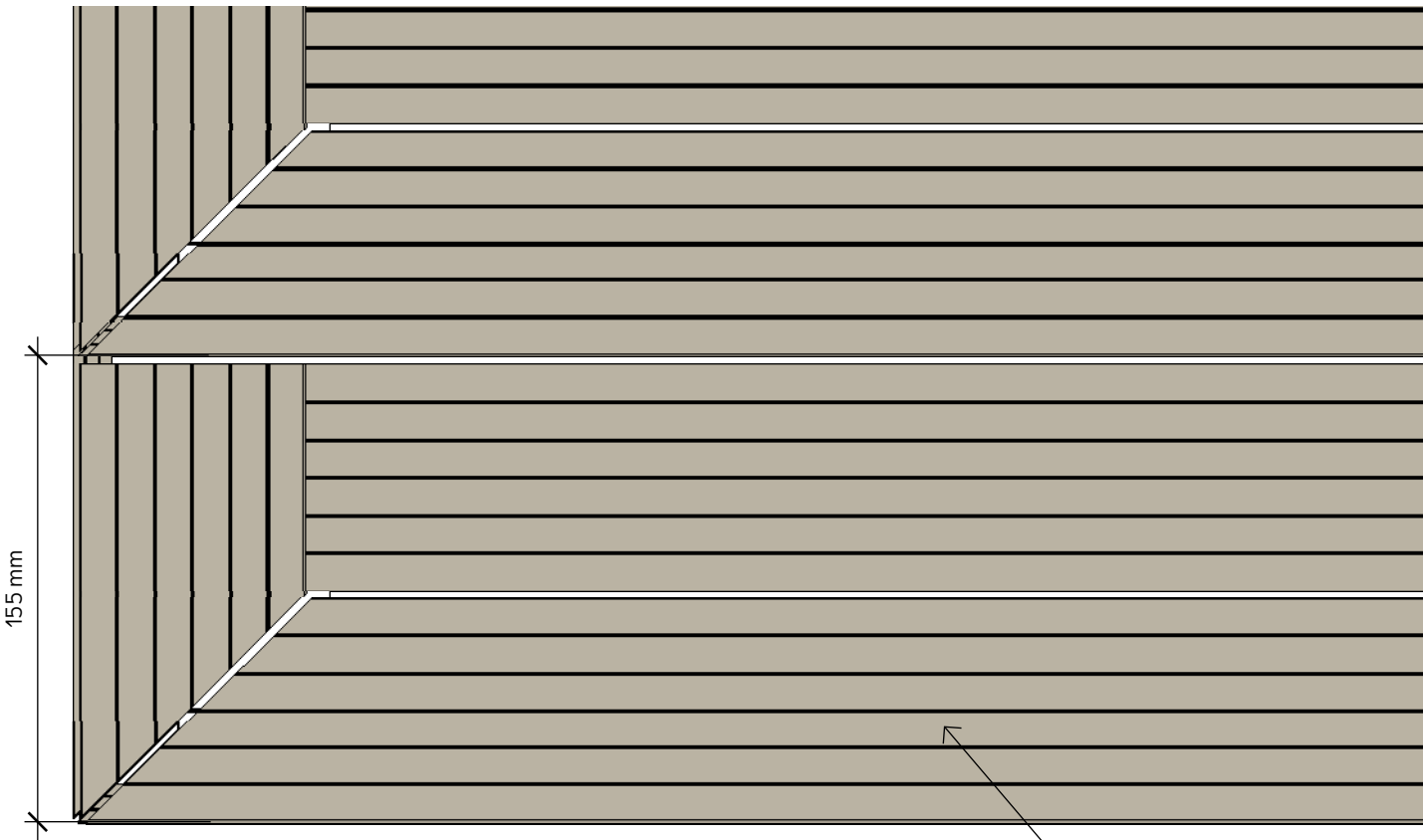
Plastic Joist Substructure for Composite Decking with Steps Typical Detail

- 1: Solid Edge Board
- 2: Decking Board
- 3: Concrete Post Foundations

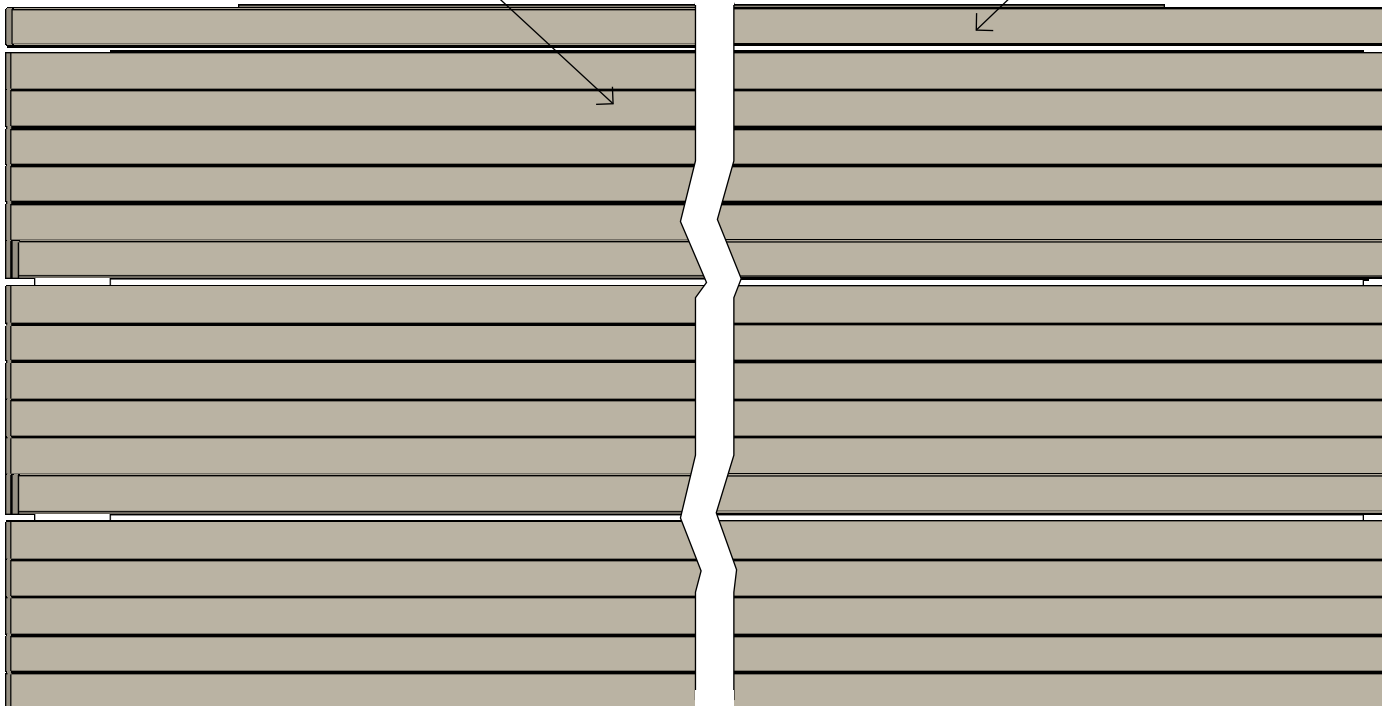
For further information, see :

Ecoscape "Composite Decking Installation Guide"





Step Plan Detail

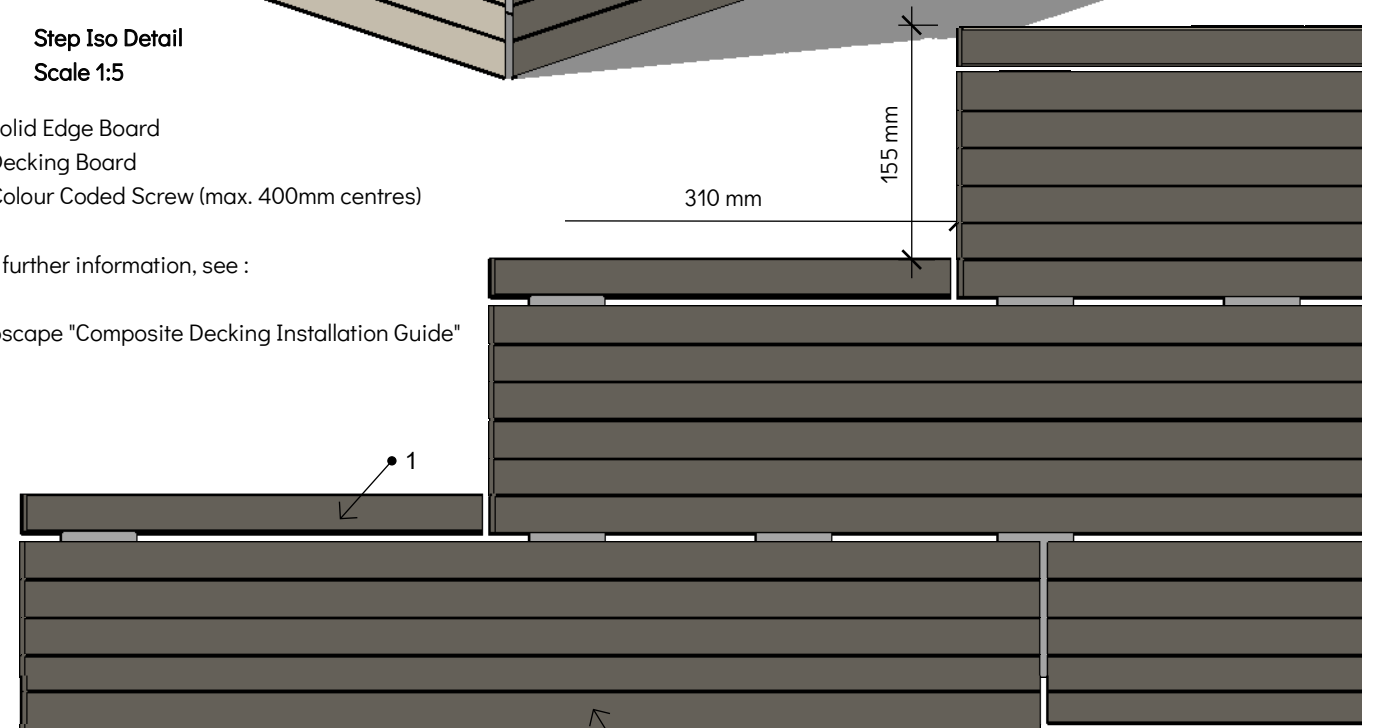


Step Front Elevation Detail
Scale 1:5

Step Iso Detail
Scale 1:5

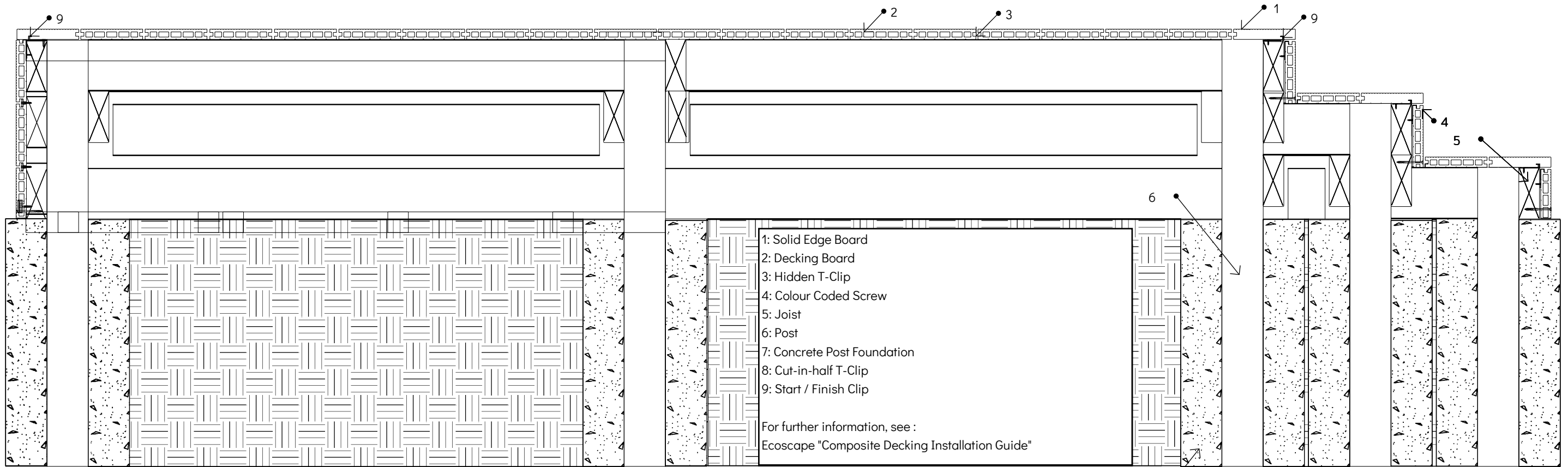
- 1: Solid Edge Board
- 2: Decking Board
- 3: Colour Coded Screw (max. 400mm centres)

For further information, see :
Ecoscape "Composite Decking Installation Guide"



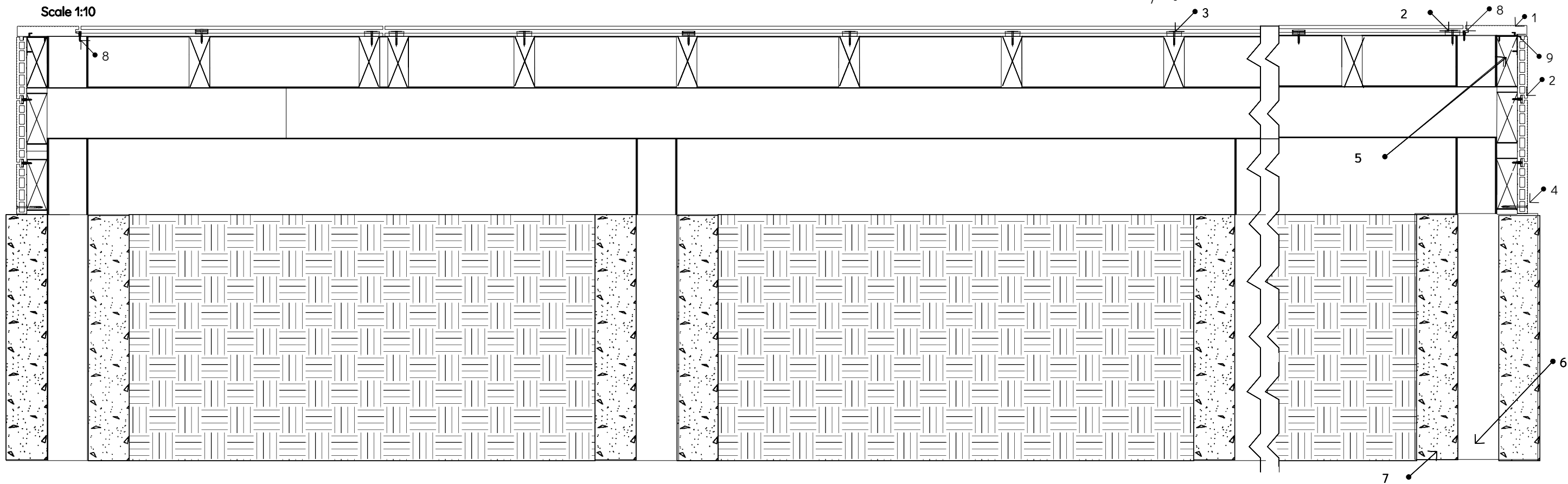
Step Side Elevation Detail
Scale 1:5

© 2022 Ecoscape UK Ltd



- 1: Solid Edge Board
 - 2: Decking Board
 - 3: Hidden T-Clip
 - 4: Colour Coded Screw
 - 5: Joist
 - 6: Post
 - 7: Concrete Post Foundation
 - 8: Cut-in-half T-Clip
 - 9: Start / Finish Clip
- For further information, see :
Ecoscape "Composite Decking Installation Guide"

Side Section Detail
Scale 1:10



© 2022 Ecoscape UK Ltd